



QUESTIONNAIRE

TRACON™

for order
of deflection rollers

Figure 1 Deflection roller threaded

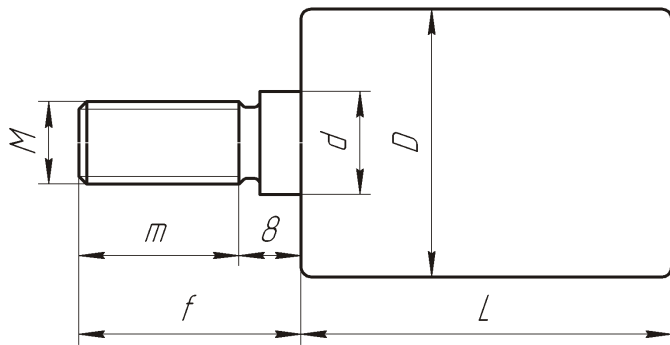


Figure 2 Deflection roller threadless

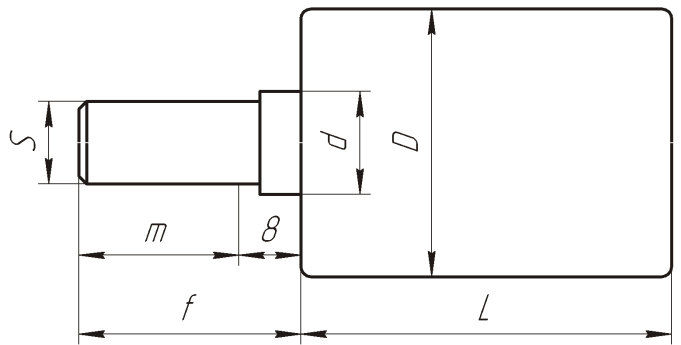


Figure	Dimensions, mm							Quantity
	D	L	m	f	d	M	S	

Address of Customer
(shipping and bank details)

Three empty lines for customer address and bank details.

ZAO "TRACON"

192236, Russia
Saint-Petersburg
Sophijskaya St., H.14, letter «A»
building 2B, office 312

Signature of Customer

Stamp

tel.: +7 (812) 380-72-75
fax: +7 (812) 449-77-06
info@tracon.ru
www.tracon.ru