

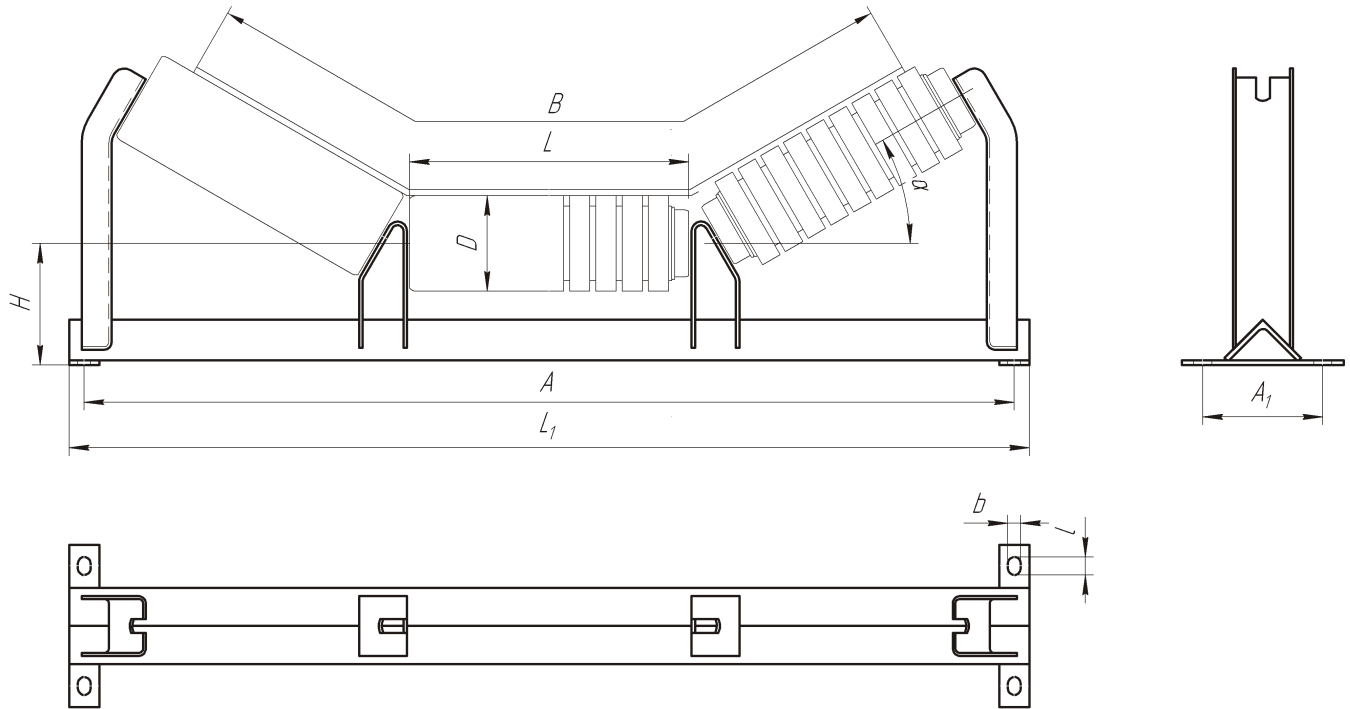


QUESTIONNAIRE

TRACON™

for order
of upper trough roller,
type 2

Upper trough roller, type 2



Tape width B, mm	Standard size	Dimensions, mm								α , degree	Quantity
		D	L	L ₁	A	H	A ₁	b	l		

Note: The trough roller is applied for smooth, lined and snubber rollers.

Address of Customer
(shipping and bank details)

ZAO "TRACON"
192236, Russia
Saint-Petersburg
Sophijskaya St., H.14, letter «A»
building 2B, office 312

Signature of Customer

tel.: +7 (812) 380-72-75
fax: +7 (812) 449-77-06
info@tracon.ru
www.tracon.ru

Stamp